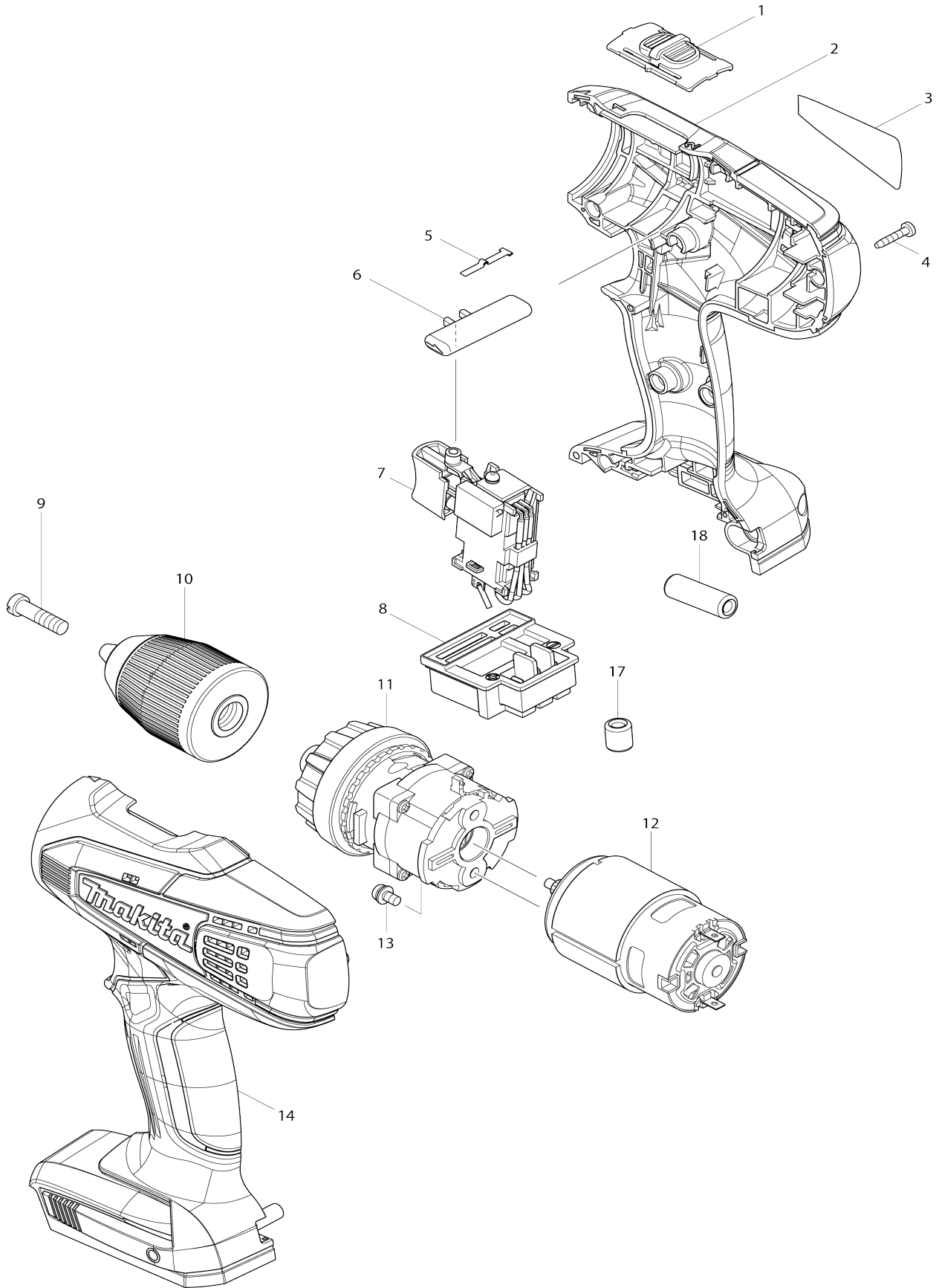


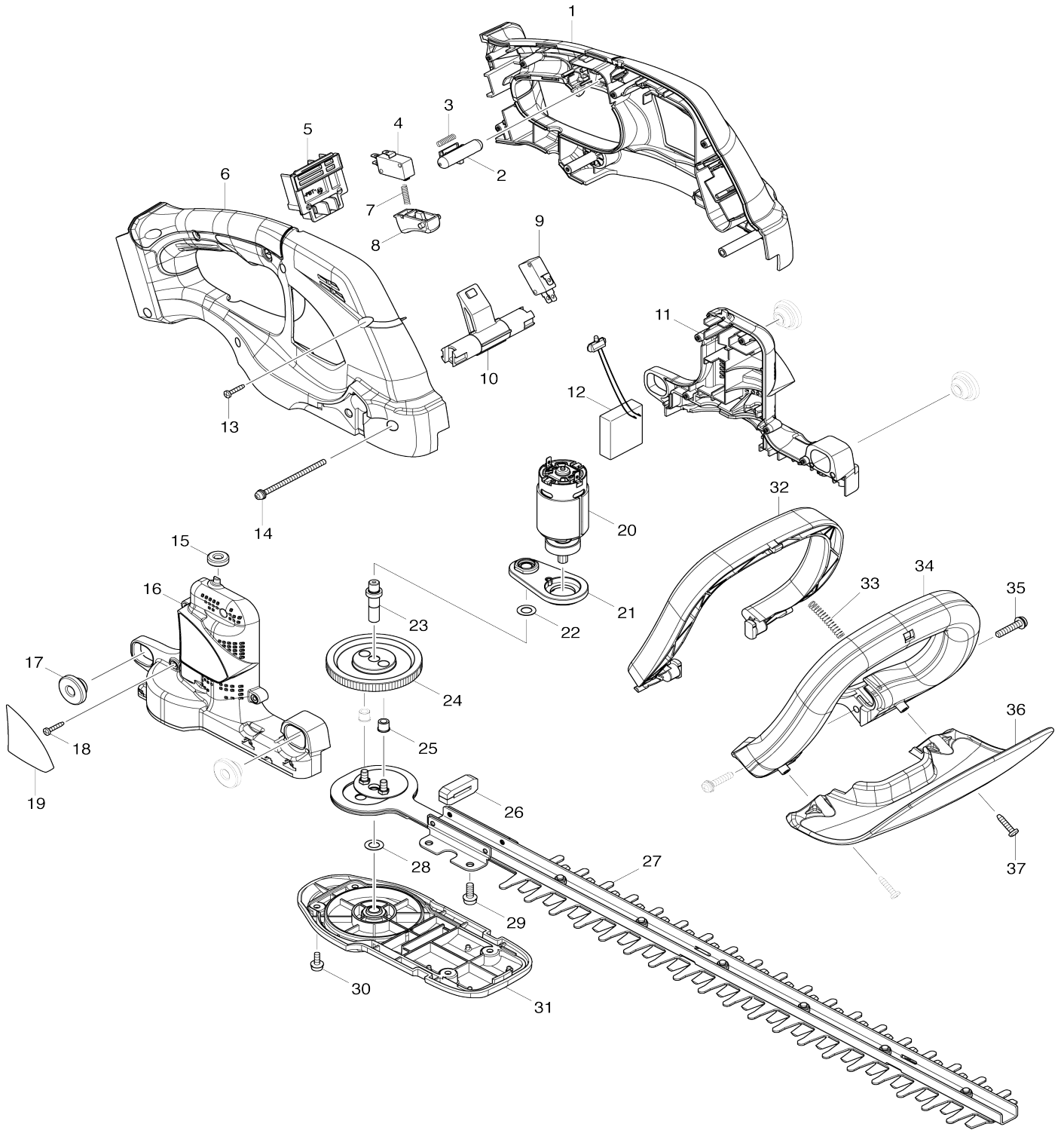
Model No.DF457D CORDLESS DRIVER DRILL



Model No.DF457D CORDLESS DRIVER DRILL

Item No.	Parts No.	Description	Interchangeability
001	125310-5	SPEED CHANGE LEVER ASS'Y	
C10	231433-0	COMPRESSION SPRING 4	
002	187026-0	HOUSING SET	
002		INC. 14	
003	869383-5	DF457D NAME PLATE	
004	266429-2	TAPPING SCREW 3X16	
005	232182-2	LEAF SPRING	
006	452399-3	F/R CHANGE LEVER	
007	638862-2	SWITCH UNIT	
C10	654086-2	RECEPTACLE	
C20	654199-9	RECEPTACLE	
007		INC. 17,18	
008	643862-9	TERMINAL	
009	251468-5	- FLAT HEAD SCREW M6X22	
010-1	766004-9	KEYLESS DRILL CHUCK 13	
011	125483-4	GEAR ASS'Y	
012	629834-8	DC MOTOR	
012-1	629937-8	DC MOTOR	O
013	911108-4	PAN HEAD SCREW M4X8	
014	187026-0	HOUSING SET	
014		INC. 2	
017	688164-6	LINE FILTER	
018	688165-4	LINE FILTER	
A01	784636-0	+ - BIT 2-65	
A01	196619-2	TOOL CHEST	
A02	***DC18WA	DC18WA BATTERY CHARGER	
A02	***DC18WB	DC18WB BATTERY CHARGER	
A03-1	196367-3	BATTERY BL1813G SET	
A03-2	196367-3	BATTERY BL1813G SET	O
A03-3	198186-3	BATTERY BL1815G SET	<
A03-4	198186-3	BATTERY BL1815G SET	<
A04	452652-7	BATTERY COVER	
A05	824981-2	PLASTIC CARRYING CASE	
C10	162315-4	LATCH	
C20	452137-3	HANDLE	
A06	892774-5	DF457DWE PLASTIC CASE LABEL	
A06-1	892777-9	DF457DWE CASE LABEL	<
A06-1	8044Y5-9	DF457D001 PLASTIC CASE LABEL	
F01-3	198186-3	BATTERY BL1815G SET	<
F01-4	198186-3	BATTERY BL1815G SET	<
F02-3	198186-3	BATTERY BL1815G SET	<
F02-4	198186-3	BATTERY BL1815G SET	<
F03-1	196306-3	KEYLESS DRILL CHUCK 13 SET	O

Model No.UH482D 480MM CORDLESS HEDGE TRIMMER



Model No.UH482D 480MM CORDLESS HEDGE TRIMMER

Item No.	Parts No.	Description	Interchangability	Q'ty	New/Old
001	187287-2	HANDLE SET		1	
001		INC. 6			
002	452438-9	LOCK OFF BUTTON		1	
003	231473-8	COMPRESSION SPRING 4		1	
004	651852-8	SWITCH V-15-1A5		1	
005	643862-9	TERMINAL		1	
006	187287-2	HANDLE SET		1	
006		INC. 1			
007	231473-8	COMPRESSION SPRING 4		1	
008	417564-1	SWITCH LEVER		1	
009	651852-8	SWITCH V-15-1A5		1	
010	452681-0	SWITCH ARM		1	
011	187290-3	MOTOR HOUSING SET		1	*
011		INC. 16			*
011-1	183P35-3	MOTOR HOUSING SET	S	1	
011-1		INC. 16			
012	638964-4	CONTROLLER UNIT		1	
013	266429-2	TAPPING SCREW 3X16		6	
014	911193-7	PAN HEAD SCREW M4X65		1	
015	424195-9	RUBBER RING 6		1	
016	187290-3	MOTOR HOUSING SET		1	*
016		INC. 11			*
016-1	183P35-3	MOTOR HOUSING SET	S	1	
016-1		INC. 11			
017	424394-3	RUBBER RING 8		4	
018	266429-2	TAPPING SCREW 3X16		5	
019	814P59-5	UH482D NAME PLATE		1	
020	629930-2	DC MOTOR		1	*
020-1	629450-6	DC MOTOR	S	1	
021	141211-9	BEARING BOX COMPLETE		1	
C10	263002-9	RUBBER PIN 4		1	
022	253215-0	FLAT WASHER 8		1	
023	326034-8	SPINDLE		1	
024	227281-3	SPUR GEAR 93		1	
025	262570-9	NYLON SLEEVE 5		2	
026	423417-4	DUST GUARD		1	
027	196166-3	SHEAR BLADE COMPLETE SET		1	*
C10	188605-7	OIL VESSEL SET		1	*
C20	262570-9	NYLON SLEEVE 5		2	*
027-1	195768-2	SHEAR BLADE COMPLETE SET	O	1	
C10	188605-7	OIL VESSEL SET		1	
C20	262570-9	NYLON SLEEVE 5		2	
028	253215-0	FLAT WASHER 8		1	
029	911218-7	PAN HEAD SCREW M5X14		4	
030	911113-1	PAN HEAD SCREW M4X10 WITH WR		4	
031	453317-4	UNDER COVER		1	
032	452678-9	SWITCH LEVER B		1	

033	234261-2	COMPRESSION SPRING 5		1	
034	452682-8	FRONT GRIP		1	
035	911243-8	PAN HEAD SCREW M5X25		2	0,
036	453316-6	PROTECTOR		1	
037	265995-6	TAPPING SCREW 4X18		2	0,
A01	452684-4	BLADE COVER		1	
E01	891213-2	SOUND 84DB LABEL		1	